



Disassembly Instructions, MTS Seating Stack Chairs

The following general disassembly guidelines apply only to MTS 'Alpha' and 'Omega' models of steel stack chairs. They are not intended for use on any other chair models, or any other manufacturer's chairs. For disassembly guidelines for a specific chair model, please contact the Sustainability Department at 734-847-5884 or by [email](mailto:).

Please note: while nearly all components of MTS chairs are recyclable, resources for them may not be easily accessible in your area. The steel or aluminum frame and the wood components are easily recycled through most city programs or scrap purchasers; however the plastic, foam, and upholstery may be more difficult to recycle. Please refer to www.earth911.org for a directory of recyclers in your area, or contact the [Sustainability Department](mailto:) at MTS Seating for assistance.

Tools required: Pry bar or claw hammer, Phillips-head and flat-head screwdriver, needle-nose pliers, scissors, mallet or hammer.

Back Removal

For chairs with a silhouette style back (outer back): Remove the outer back first. Slide the pry bar between the inner and outer back and carefully apply force on the outer back until the clip pops out of the inner back. Repeat this procedure for all five clips (figure A).

To remove the inner back (chairs with and without silhouette style back): Remove four screws using a Phillips-head screwdriver (figure B) and pull the inner back away from the frame.

Seat Removal

Flip the chair upside down so the seat bottom is visible. For one person, place the chair seat-down on a table (figure C) for easier handling. Remove four screws using a Phillips-head screwdriver (figure D) and pull the seat away from the frame.

Glide and Stack Button Removal

Flip the chair upside down so feet are visible. For one person, place the chair seat-down on a table (figure C) for easier handling. Insert v-notch of pry bar or claw hammer between glide foot and the end of the leg (figure E) and apply downward pressure until the glide pops off. Remove the glide boot from the chair leg (if applicable). Use a flat head screwdriver to loosen and remove the multi-finger clip from inside of the chair leg.



To remove stack buttons, use a mallet or hammer to strike downwards on the edge of the button and loosen it from the frame. If the head of the button breaks off, push the pin of the button into the leg and it will fall out of the bottom. Use needle-nose pliers to remove the loose button from the leg.

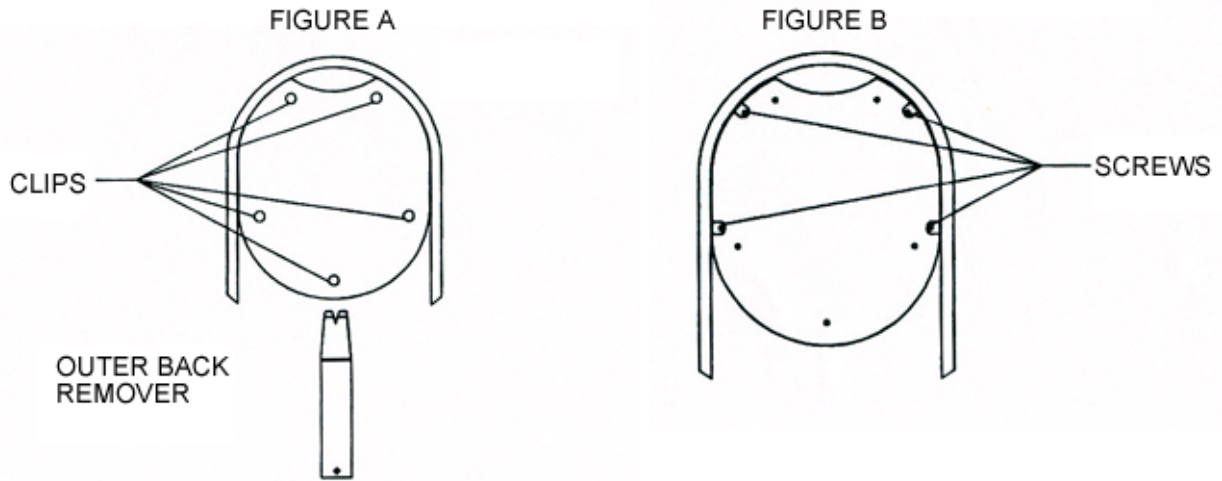
Seat and Back Disassembly

Use needle nose pliers or flat head screwdriver to remove any staples holding the upholstery to the wood. Pull the fabric away from the wood, cutting with scissors if necessary, and separate the foam from the fabric. Use pliers to remove the plastic clips from the outer and inner back.

For instructions specific to your style of chair, please contact the [Sustainability Department](#) at MTS Seating. Please indicate the chair style number in the subject line of your email.



Figures A & B



Figures C & E

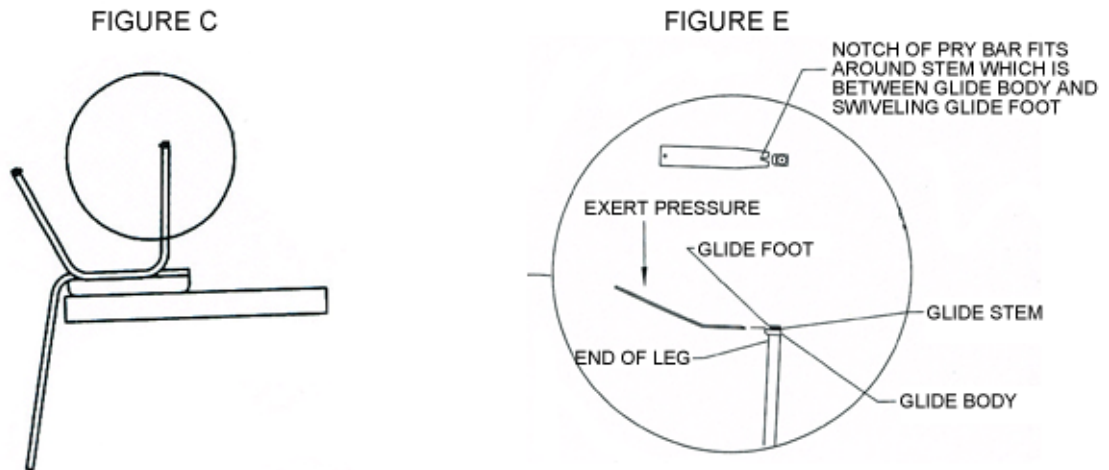
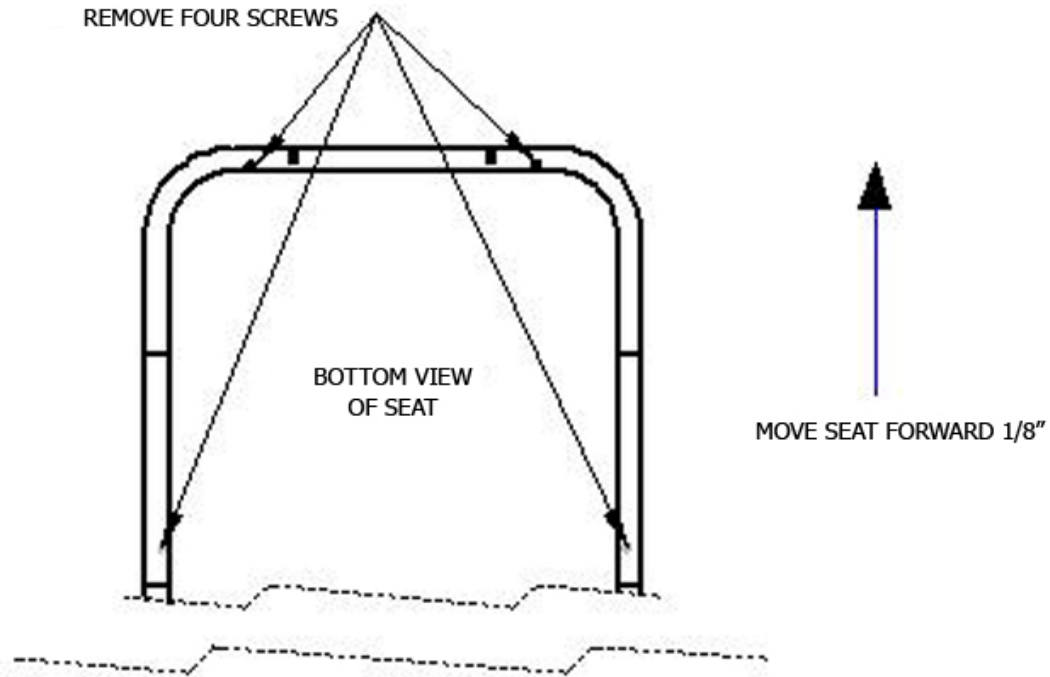




Figure D



Full Chair

